



**PW-3090**  
Power Conditioner

### Features

- 1000 VDC isolation
- Flexible DIN-rail mounting



### Introduction

The PW-3090 series is an efficient (83%) DC-to-DC power module with 1000 VDC isolated protection. It has non-regular DC input (18 ~ 36 V) and stable DC output (5 V, 12 V, 24 V, 5 V, 15 V). Using it, your devices can work with stable power source and against harmful effects in the operating environment.

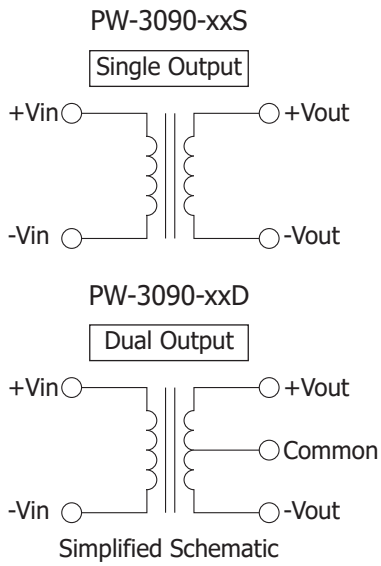
### Applications

- Power isolation (DC-to-DC converter)

### Specifications

Model Name	PW-3090-24S-R	PW-3090-15D-R	PW-3090-12S-R	PW-3090-5S-R	PW-3090-5D-R
<b>Input</b>					
Voltage Range	18 ~ 36 VDC (non-regulated)				
Polar	Unipolar	Bipolar	Unipolar	Unipolar	Bipolar
<b>Output</b>					
Ripple & Noise (Max.)	100 mVp-p max.				
Line Regulation	0.2% max.				
DC Voltage	+24 VDC @ 400 mA (max.)	±15 VDC @ 300 mA (max.)	+12 VDC @ 800 mA (max.)	+5 VDC @ 2000 mA (max.)	±5 VDC @ 1000 mA (max.)
Accuracy	2%				
Isolation	1000 VDC				
Efficiency	83% Typical				
Short Circuit Protection	Yes				
<b>Mechanical</b>					
Dimensions (W x L x H)	25 mm x 114 mm x 70 mm				
<b>Environment</b>					
Temperature Coefficient	0.03 %/°C				
Operating Temperature	-25 ~ +70 °C				
Storage Temperature	-30 ~ +85 °C				
Humidity	5 ~ 95% RH, Non-condensing				

## Internal I/O Structure

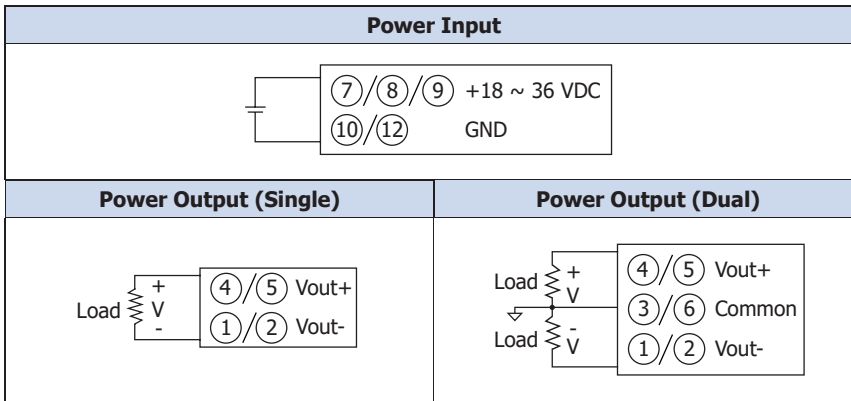


## PIN Assignments

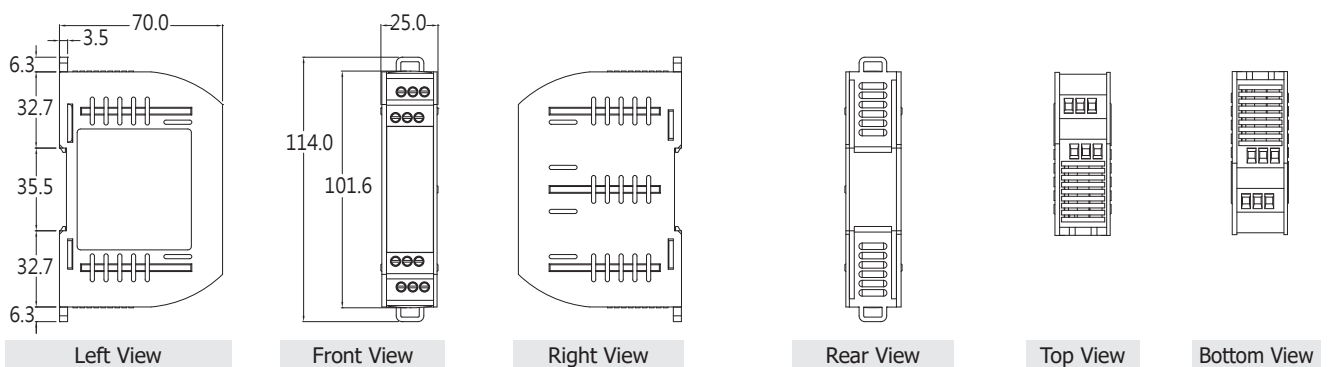


Voltage	Pin	Name
Output	1	-Vout
	2	-Vout
	3	Common
	4	+Vout
	5	+Vout
	6	Common
Input	7	+18 ~ 36 VDC
	8	+18 ~ 36 VDC
	9	+18 ~ 36 VDC
	10	GND
	11	FGND
	12	GND

## Wire Connections



## Dimensions (Units: mm)



## Ordering Information

<b>PW-3090-24S-R CR</b>	Power Conditioner, output voltage +24 VDC @ 400 mA (max.) (RoHS)
<b>PW-3090-15D-R CR</b>	Power Conditioner, output voltage ±15 VDC @ 300 mA (max.) (RoHS)
<b>PW-3090-12S-R CR</b>	Power Conditioner, output voltage +12 VDC @ 800 mA (max.) (RoHS)
<b>PW-3090-5S-R CR</b>	Power Conditioner, output voltage +5 VDC @ 2000 mA (max.) (RoHS)
<b>PW-3090-5D-R CR</b>	Power Conditioner, output voltage ±5 VDC @ 1000 mA (max.) (RoHS)